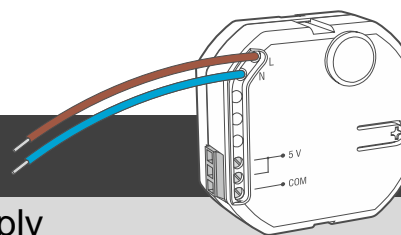


APS-055

Flush-mounted 5 VDC / 0.5 A power supply



aps-055_en 12/22

The APS-055 switching power supply is designed for powering 5 VDC devices. It can be used as an external power source for SATEL wireless keypads, e.g.:

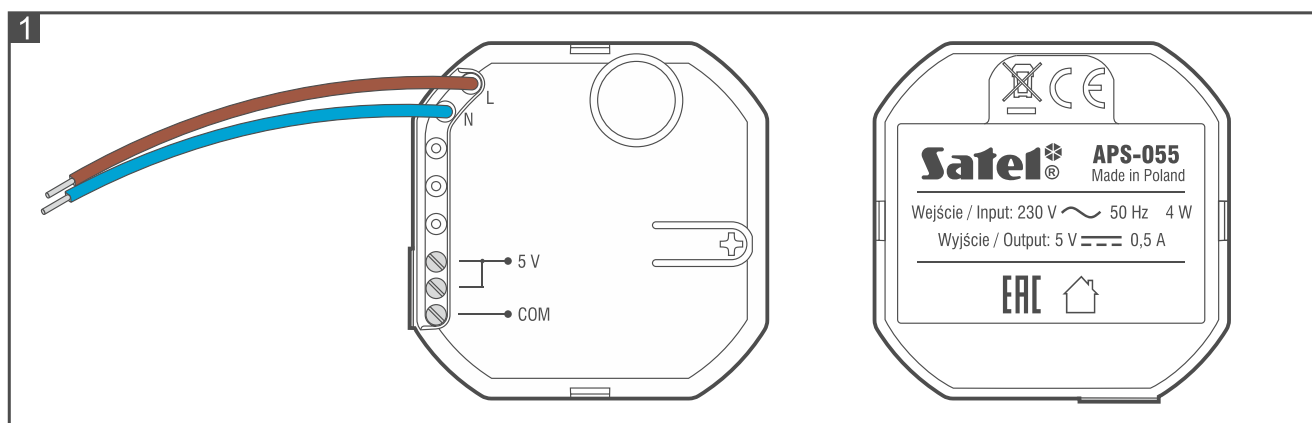
- INT-KWRL2 (electronics version 3.2 or newer),
- PRF-LCD-A2 (electronics version 2.2 or newer),
- PRF-LCD-WRL (electronics version 2.2 or newer),
- VERSA-KWRL2 (electronics version 2.2 or newer).

This manual applies to the power supply with firmware version 1.00.

1. Features

- Nominal output voltage (according to IEC 38): 5 VDC.
- Output voltage stabilization.
- Output current: 0.5 A.
- Input interference filter.
- Electronic short-circuit protection of AC mains power supply circuit.
- Electronic short-circuit and overload protection of the power output.
- Mounted in in-wall and on-wall electrical junction boxes with a minimum diameter of 60 mm.

2. Description



Wires

- L** [brown] - for connecting 230 VAC supply phase wire.
- N** [blue] - for connecting 230 VAC supply neutral wire.

Terminals

5 V - power output 5 VDC.

COM - common ground.

3. Installation



The device should be installed by qualified personnel.

Disconnect power before making any electrical connections.

The APS-055 power supply is designed for mounting inside an electrical junction box (60 mm deep). It should be installed indoors, in spaces with normal air humidity.

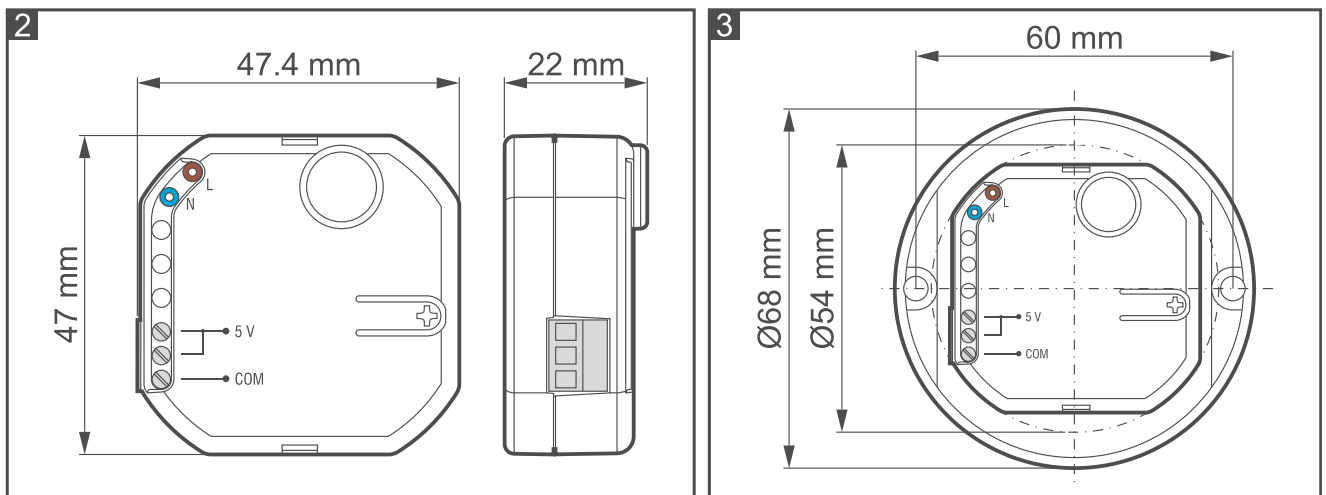
The power supply should be connected to the 230 VAC mains supply. Before you make the connection, familiarize yourself with the electrical installation of the facility. Make sure that the circuit you choose for powering will be always alive. This circuit should be protected by a suitable safety device. To connect the wires, use screw terminal blocks, splicing connectors, etc.

The current consumed by the appliance to be powered by the APS-055 power supply cannot exceed 0.5 A.

1. Power off the 230 VAC circuit.
2. Open the electrical junction box in which the power supply is to be installed.
3. Connect the wires to the 5 V and COM terminals. Use flexible wires with a cross-section of 0.5-0.75 mm².
4. Connect the power supply to the 230 VAC circuit (brown wire [L] to phase wire; blue wire [N] to neutral wire).
5. Place the power supply in the junction box.
6. Close the junction box.
7. Power on the 230 VAC circuit.

4. Specifications

Power supply type (according to EN 50131)	B
Power supply voltage	195...265 VAC
Efficiency	up to 72%
Nominal output voltage (according to IEC 38).....	5 VDC
Actual output voltage	5 VDC
Output current.....	0.5 A
Current consumption of power supply circuits.....	3 mA
Environmental class	II
Operating temperature range	-10°C...+55°C
Dimensions	47 x 47.4 x 22 mm
Weight	37 g



The declaration of conformity may be consulted at www.satel.pl/ce